

## 2-STAGE SIGNAL CENTRAL UNIT

### CSD-1



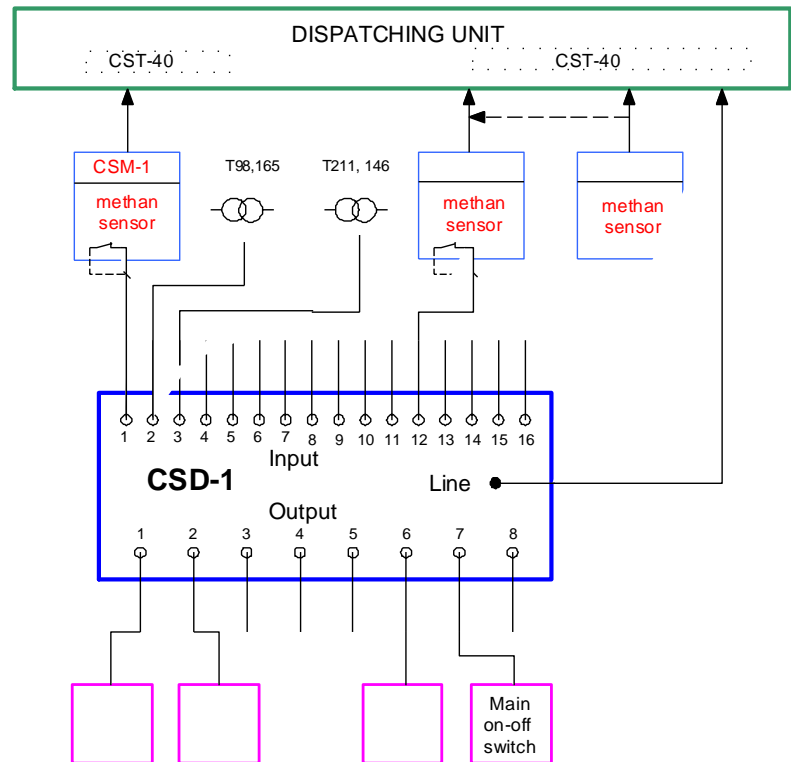
Catalogue card



## DESCRIPTION

CSD-1 Two-State Signal Control Unit is generally intended for use with safety system CST. It can also operate with other systems on condition that they comply with the supply & measurement line parameters. CSD-1 highly extends the measurement capability of the CST-40A, CST-40C units and enables a variety of 2-state sensors to be connected to it. To each CST-40(A) supply-transmission line a single CSD-1 control unit can be connected. The unit has sixteen 2-state voltage free inputs and eight voltage free 2-state outputs. Input signals are checked for shortcuts in connected lines.

CSD-1 can be programmed from the CST-40A, CST-40C system and can function as a protection for power shut-offs, enable signal lines or control other electrical equipments. Backup of data or programme is ensured by the CST system. CSD-1 central units provide for connection of up to 640 two-state inputs and for control of max. 320 devices.



*Example of applying CSD-1 in methane detection interlocking system*

The control unit does not require any operator's intervention. All control functions and configuration data are transmitted from the central units. On connecting the unit to a CST-40A(C) line it starts operating automatically and executing the programme stored in its memory. At the system's query it transfers current status of all 2-state inputs and outputs and of all programme variables.

## BASIC TECHNICAL PARAMETERS

Power supply	27 mA
Transmission mode	2s
Max. transmission time (of a measurement cycle)	8 km
Max. length of a supply-transmission line	> 12h
Run time on own power supply	LCD display
Number of 2-state inputs	16
Max resistance of input circuit	400 Ω
Line check mode	Diode at checked contact in series
Number of 2-state outputs	8
Working temperatures	from -5 °C to +40 °C
External dimensions	450x250x120 mm
Weight	5 kg
Casing internal protection	IP-65

## EXPLOSION-PROOF MARK



I M1 Ex ia I

EC type examination certificate: KDB 05 ATEX 010X