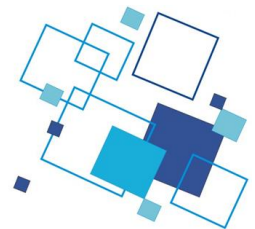
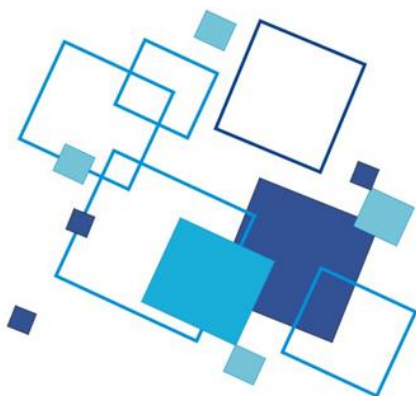
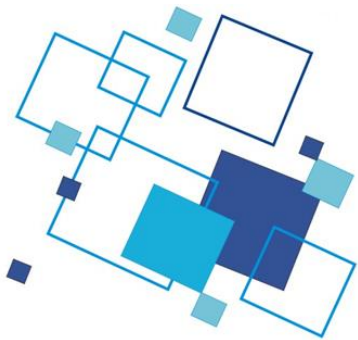


CHANNEL TRANSMITTER CSN-10, CSN-11



Catalogue card



DESCRIPTION

Channel transmitter CSN with the components used to monitor processes in potentially explosive methane and/or coal dust areas. The transmitter is made in two versions CSN-10 and CSN-11 and works directly with the central station CST-40, CST-40C. The transmitter channel CSN-10 has a galvanically isolated digital inputs and analog inputs. Version CSN-11 has an additional power supply output + 8V through which it is possible to supply and cooperate with external sensors, for example: CP10 or CPE (sensors must work in two-state mode).

The transmitter has several installation options using the following components:

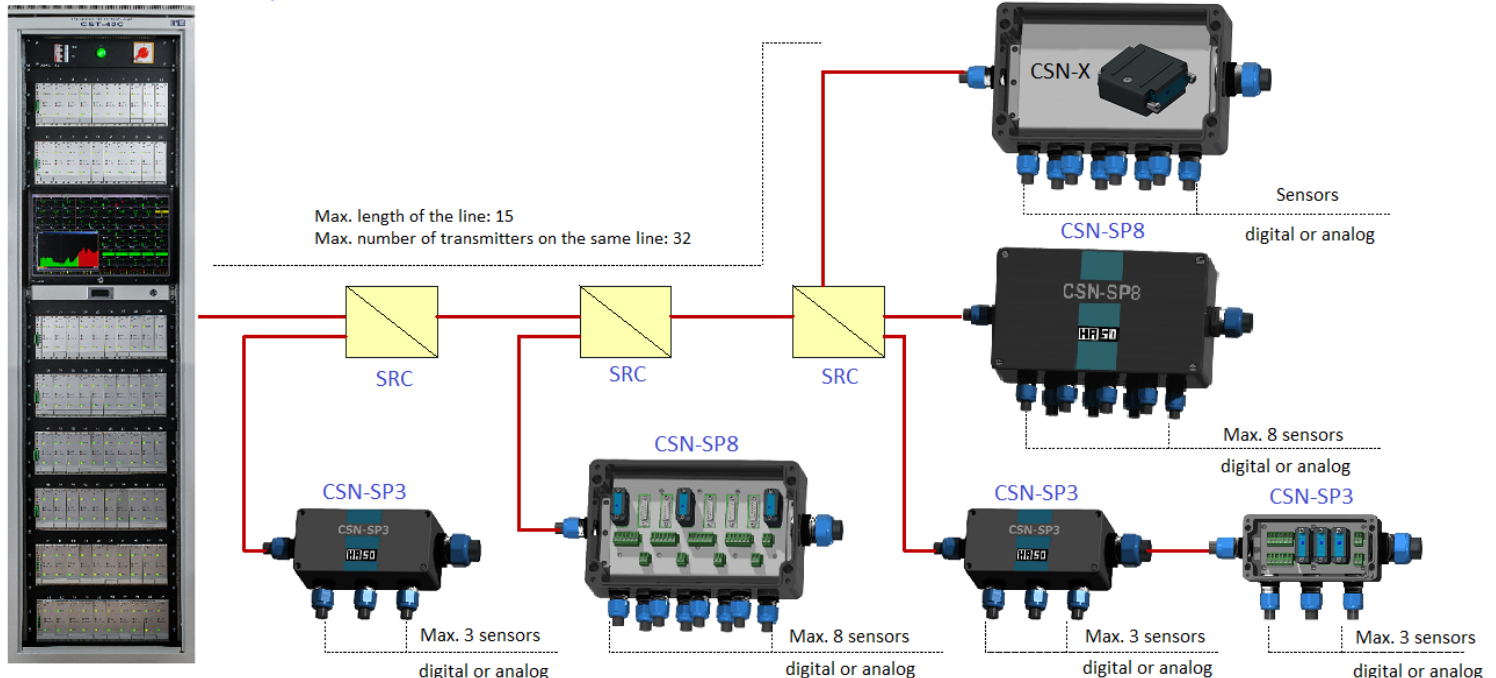
- junction boxes: CSN-SP3 and CSN -SP8 with IP65 protection degree
- connection modules mounted on a DIN rail: CSN-MP11, MP10-CSN designed to be mounted inside a housing having a minimum IP54 protection degree
- connection module CSN-MP0 as DB15 connector with the derived cables; module allows installation of transmitters in the housing having its own set of terminals; housing must have a min. IP54 protection degree.

BASIC TECHNICAL DATA

Channel transmitter CSN-10, CSN-11

Power supply (Interface type CST-40A, CST-40C)	power supply-transmission line
transmission	digital, two-way
max. length of the line	15 km
Power consumption	max 1,2mA
Efficiency of power output + 8V (only CSN-11)	≤ 300 μA
Working temperature range	from -20°C to +50°C
Casing internal protection for connection box:	min. IP 54
Dimensions	42 x 20 x 45 mm

Central Station CST-40A/C



Example of CSN-10, CSN-11 transmitters connection to central station CST-40A / 40C

EXPLOSION-PROOF MARK



I M1 Ex ia I Ma

EC type examination certificate: TEST 16 ATEX 0021X